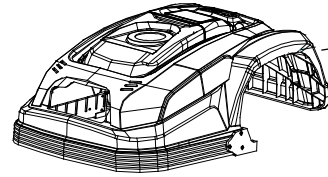


EXPLODED DRAWING

A1	0862080003	knob cover	1
A2	0862511001	lift spring	1
A3	B282011001	split ring	1
A4	0862081002	knob	1



A8	862611	lift unit	2
A8.1	0862016001	lift bracket	2
A8.2	0862017001	lift slider	2
A8.3	B570016001	Spring-type straight pins-Slotted, light duty	2
A8.4	B306001001	Hexagon socket countersunk heat screws	2
A8.5	B400024001	Cross recessed pan head tapping screws	4
A8.6	0862302001	rubber nut	2

A9	862650H	Decorative plate	1
A9.1	0862105001	Decorative plate	1
A9.2	0862204001	Rain sensor screw	2
A9.3	B201004001	Hexagon nut	2
A9.4	B503003001	single coil spring lock washer,normal type	2
A9.5	0862711002	Rain sensor wire	1

A6	862612	impact component unit	2
A6.1	0862015001	impact bracket	2
A6.2	0862302001	rubber nut	2
A6.3	B400024001	Cross recessed pan head tapping screws	4
A6.4	B306001001	Hexagon socket countersunk heat screws	2

A7	862686	Magnet bracket unit	2
A7.1	0862020001	Magnet bracket	2
A7.2	0846901001	square magnet	2
A7.3	B509003001	Small series--Product grade A	6
A7.4	B400001001	Cross recessed pan head tapping screws	6

A10	862668	charging box unit	1
A10.1	0862069001	charging box	1
A10.2	0862205003	charging contactor	2
A10.3	0862710002	charging wire for charging box	1
A10.4	B400024001	Cross recessed pan head tapping screws	6
A10.5	0862309001	charging box of waterproof plug	1

A12	862688	charging box cover unit	1
A12.1	0862026001	charging box cover	1
A12.2	B620015001	Tapping screw and washer assemblies with plain	4

A11	0862805002	Signal box unit	1
-----	------------	-----------------	---

Product Name	Robot mower
Model Nr. on Artwork	17119
SAN	0521100862AB
Retailer	Biltema
Brand	Biltema
Version 1.0 by Wang Caiyong on 23rd Feb, 2020	

A5	862663H	shell unit	1
A5.1	0862088001	shell	1
A5.2	0862099002	flip cover	1
A5.3	0862079001	transparent window	1
A5.4	0862149004	STOP button	1
A5.5	0862065001	rear wing	1
A5.6	0862098002	Panel	1
A5.7	0862202002	flip cover axis	2
A5.8	0862514001	the left flip cover torsion spring	1
A5.9	0862071001	micro switch driver	1
A5.10	0862024001	left stop dog	1
A5.11	0862025001	right stop dog	1
A5.12	0862027001	buffer strip	1
A5.13	0862226001	STOP button axis	1
A5.14	0862501001	flip cover spring	1
A5.15	0862521001	STOP button spring	2
A5.16	0846902001	Cylindrical permanent magnet	2
A5.17	0862905001	nylon rivet	6
A5.18	0846003001	wire holder	7
A5.19	Y90000009	nylon cable tie	7
A5.20	0862708004	micro switch wire	1
A5.21	B400024001	Cross recessed pan head tapping screws	16
A5.22	B282002001	E rings	4
A5.23	B503003001	Large series--Product grade C	4
A5.24	0862518001	the right flip cover torsion spring	1
A5.25	Y90000011	1M	1
A5.26	B400005001	Cross recessed pan head tapping screws	12
A5.27	0862223001	Shim	12
A5.28	0862089006	Decorative cover	1

EXPLODED DRAWING

A13	B400025001	Cross recessed pan head tapping screws	4
-----	------------	--	---

A14	0862096001	adjusting Handle plate	1
-----	------------	------------------------	---

A16	862669	control panel unit	1
A16.1	0862918001	membrane switches	1
A16.2	0862135001	control panel	1
A16.3	B401004002	Cross recessed pan head tapping screws	4

A15	0862151001	adjusting Handle unit	1
-----	------------	-----------------------	---

A18	862670	panel PCB unit	1
A18.1	0862407001	panel PCB	1
A18.2	B400004001	Cross recessed pan head tapping screws	6

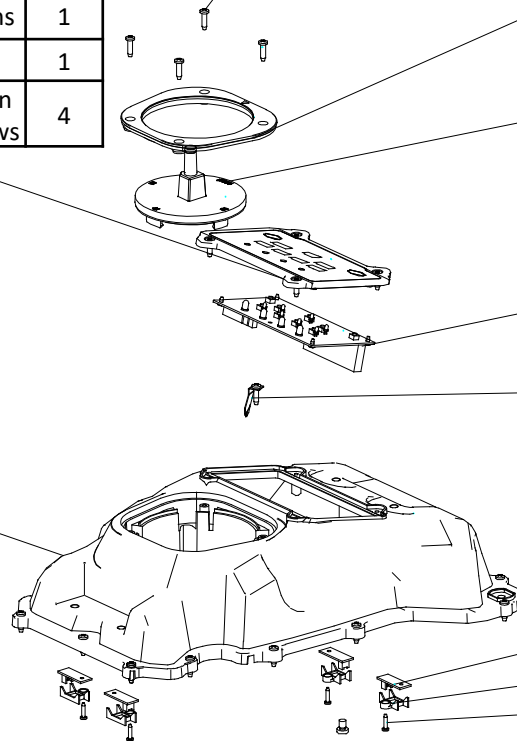
A19	862698	adjusting limit shrapnel unit	1
A19.1	0862209003	adjusting limit shrapnel	1
A19.2	B400024001	Cross recessed pan head tapping screws	1

A20	0846704001	hall sensor component	4
-----	------------	-----------------------	---

A21	0862032001	hall sensor plate	4
-----	------------	-------------------	---

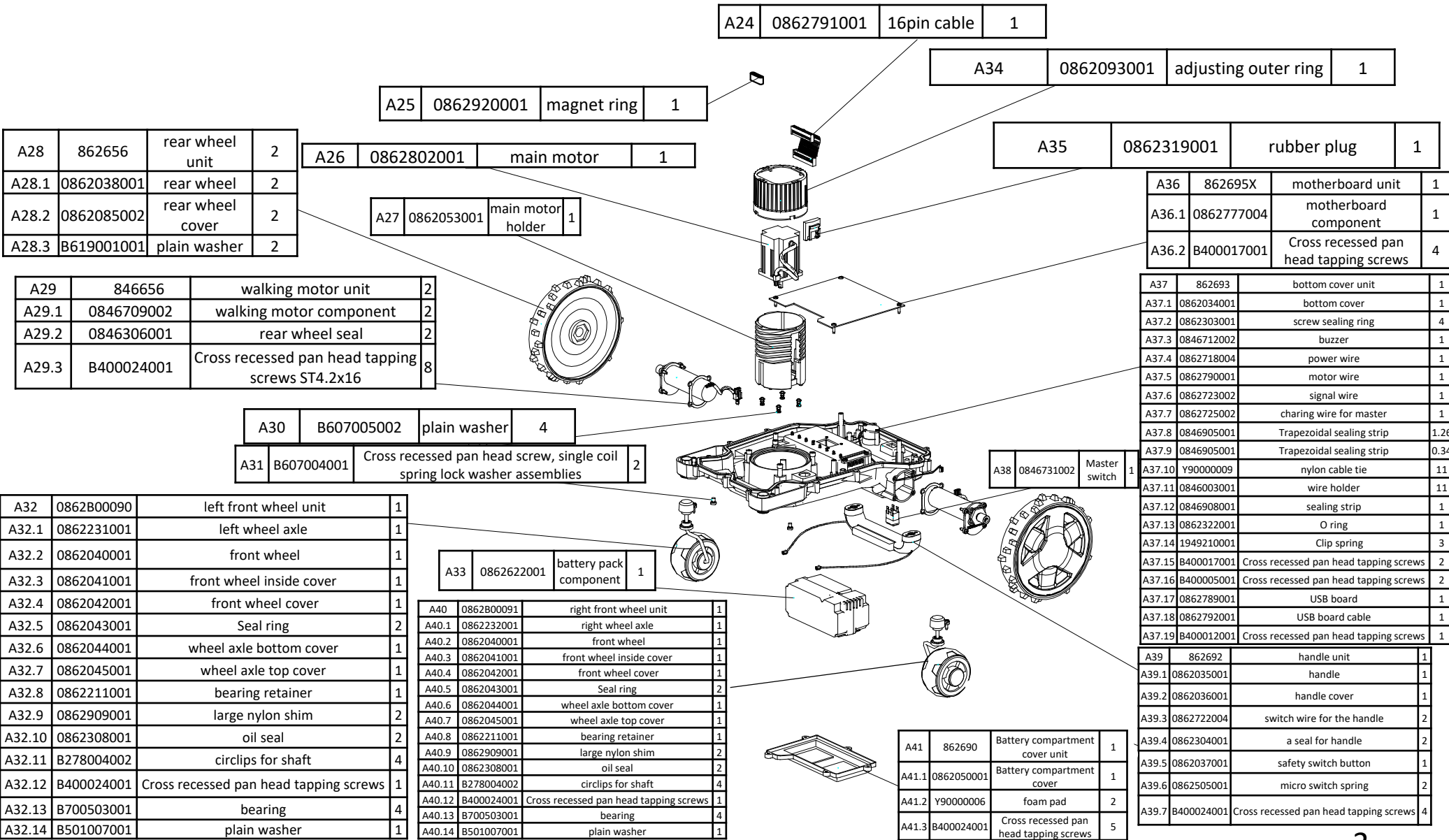
A22	B400004001	Cross recessed pan head tapping screws	4
-----	------------	--	---

A23	B607004001	Cross recessed pan head screw, single coil spring lock washer assemblies	2
-----	------------	--	---

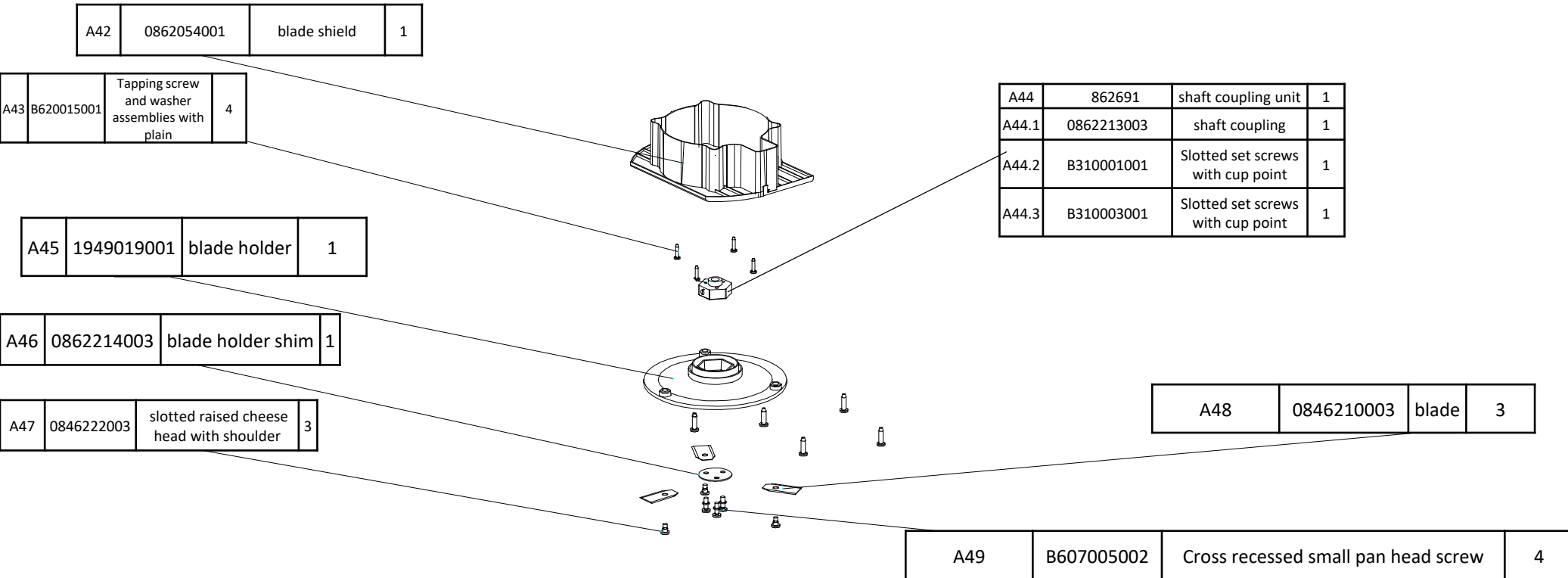


A17	862664	top cover unit	1
A17.1	0862092001	top cover	1
A17.2	0862208001	T head	4
A17.3	0846705002	hall signal wire	1
A17.4	Y90000009	nylon cable tie	5
A17.5	0846003001	wire holder	5
A17.6	1949307001	sealing strip	1
A17.7	B400024001	Cross recessed pan head tapping screws	13
A17.8	B620002001	Cross recessed pan head tapping screws and plain washer assemblies	4

COLOR SCHEME



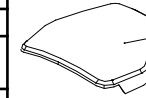
COLOR SCHEME



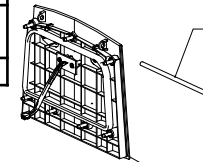
COLOR SCHEME

A51	862678X	charging station PCB board unit	1
A51.1	0862808002	charging station PCB board	1
A51.2	B400022001	Cross recessed pan head tapping screws	4

A50	862676	electrode for charging station unit	2
A50.1	0862201002	electrode for charging station	2
A50.2	0862005001	electrode sleeve	2
A50.3	0862006001	electrode holder	2
A50.4	B701635001	O ring	4
A50.5	B201002001	Hexagon nut	2
A50.6	B500006001	single coil spring lock washer, normal type	2
A50.7	B501007001	plain washer	2
A50.8	B400024001	Cross recessed pan head tapping screws	4
A50.9	0862705002	charging cable	2



A57	0862004001	electrode shield	1
-----	------------	------------------	---

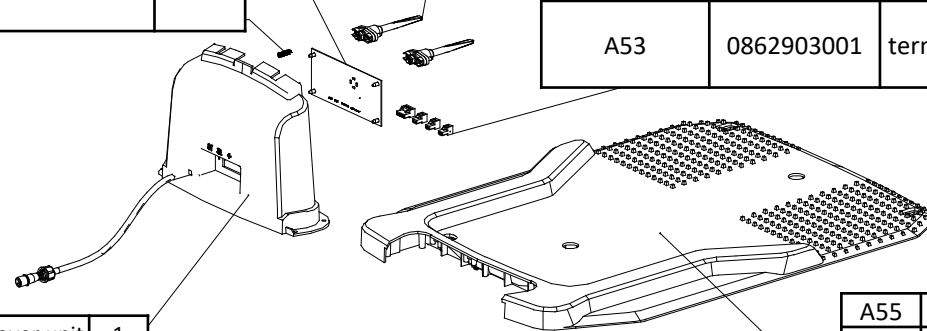


A58	0862202002	flip cover axis	1
-----	------------	-----------------	---

A52	0862502001	spring for charging station	1
-----	------------	-----------------------------	---

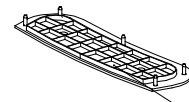
A53	0862903001	terminal	4
-----	------------	----------	---

A59	862677	Charging station front cover unit	1
A59.1	0862002001	Charging station front cover	1
A59.2	0862702001	LED light	1
A59.3	0862301001	a seal for charging station	1
A59.4	B400004001	Cross recessed pan head tapping screws	2
A59.5	B400024001	Cross recessed pan head tapping screws	7
A59.6	B701627001	O ring	1
A59.7	0862706002	LED light wire	1



A54	862680	charging station rear cover unit	1
A54.1	0862003001	charging station rear cover	1
A54.2	0846726002	single head two core waterproof cable	1
A54.3	0846616001	cable gland	2
A54.4	1920749001	Base station signal switch	1
A54.5	1949708002	Spring terminal for wire	1
A54.6	B400005001	Cross recessed pan head tapping screws	2

A55	862681	charging station base plate unit	1
A55.1	0862001001	charging station base plate	1
A55.2	0862703002	small circle wire	1
A55.3	0862901001	round wire holder	2
A55.4	B400005001	Cross recessed pan head tapping screws	4



A56	862675	support plate for wire unit	1
A56.1	0862055001	support plate for wire	1
A56.2	B401008001	Cross recessed pan head tapping screws	5

COLOR SCHEME

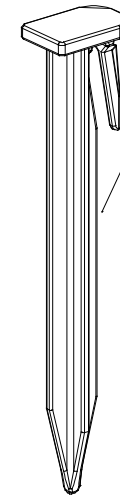
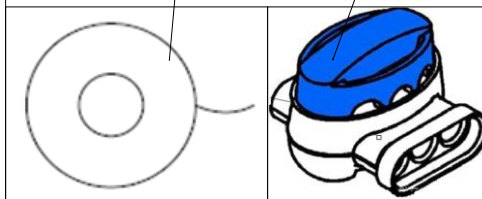
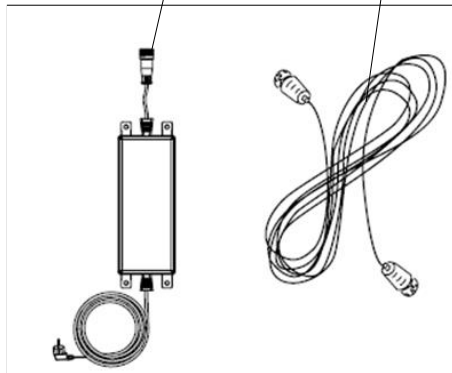
A60	0862783001	transformer	1
-----	------------	-------------	---

A61	0862735001	extend power cord	1
-----	------------	-------------------	---

A62	0846743001	boundary wire	1
-----	------------	---------------	---

A63	0846907003	connection 3M-314	6
-----	------------	-------------------	---

A64	0846001001	Boundary pegs	150
-----	------------	---------------	-----



COLOR SCHEME

ROBOT SH1000ECO



Deck/top cover:
Black

Stop button:
Red---safety requirement

Decorating cover:
Pantone300U
blue

Display:
Silver painting



Wheel cap:
Silver painting